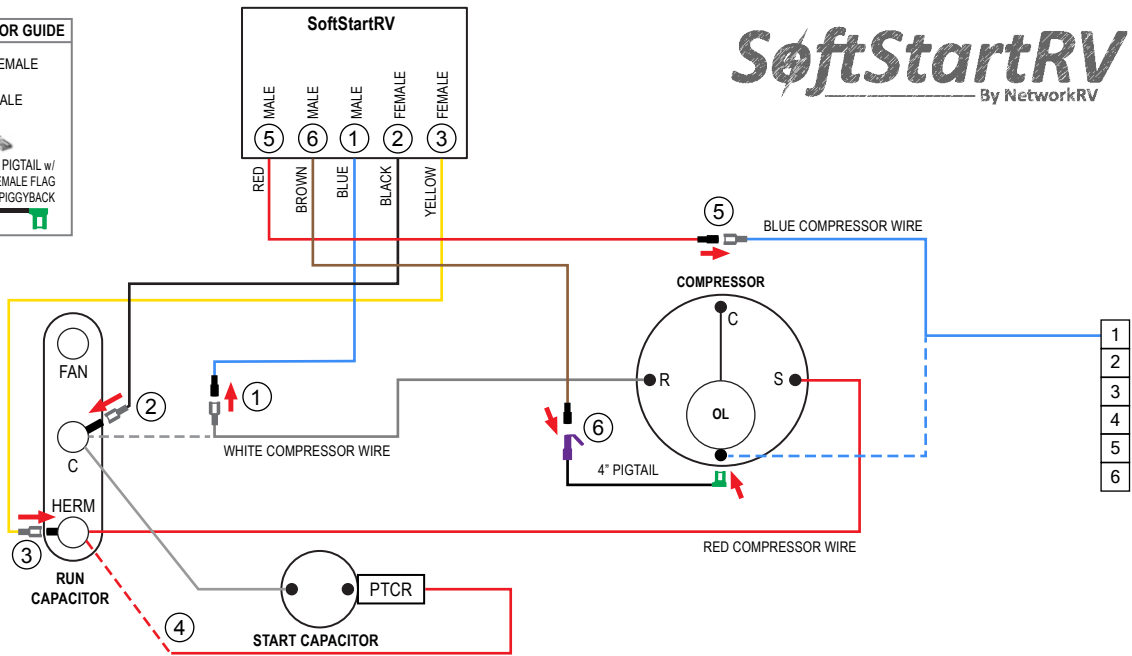


**SoftStartRV™**  
By NetworkRV



### TURN OFF ALL POWER BEFORE STARTING INSTALLATION.

Route Blue, Black and Yellow SoftStart wires into the electrical box. Route Brown and Red SoftStart wires to the top of the Compressor. Crimp Connectors onto all SoftStart wires as indicated in drawing.

Step ① Follow White Compressor wire from Compressor to Run Capacitor "C" terminal. Disconnect from "C" terminal and connect it to Blue SoftStart wire.

Step ② Connect Black SoftStart wire to the terminal that the White Compressor wire was on.

Step ③ Connect Yellow SoftStart wire on terminal next to Red Compressor wire on HERM Side of Run Capacitor.

Step ④ **IF you see a second Red wire** next to the Red Compressor wire, disconnect it and seal end with electrical tape.

Step ⑤ Remove Compressor cap. Disconnect Blue Compressor wire and connect to Red SoftStart wire. Tape connection.

**NOTE: Do not place wires back under the Compressor cap.**

Step ⑥ Connect Female Flag end of 4" Pigtail onto the terminal that the Blue Compressor wire was on. Connect Brown SoftStart wire to Female side of Piggyback connector. Break off unused tangent from Piggyback connector. Route Pigtail wire out with Red and White wires and replace cap.

Secure all wires. Tape connections with electrical tape.

Turn Power and A/C Breaker on. Turn A/C to Auto Cool setting and set the thermostat to 55°F.

Look at SoftStart LED lights. Green light should be "on". Green light means the Compressor is running (there may be a full 3-minute delay before Green light comes on). **IF there is no Green light after 4 minutes**, call SoftStart Tech Support for assistance.

After establishing Green light operation, re-install all A/C covers.

Turn A/C on, set near to outdoor temperature and run for 30 minutes.

After 30 minutes, operate A/C normally.

SSRV3T Wiring Diagram for All Dometic RV A/Cs

Copyright © 2023 NetworkRV LLC. All Rights Reserved.