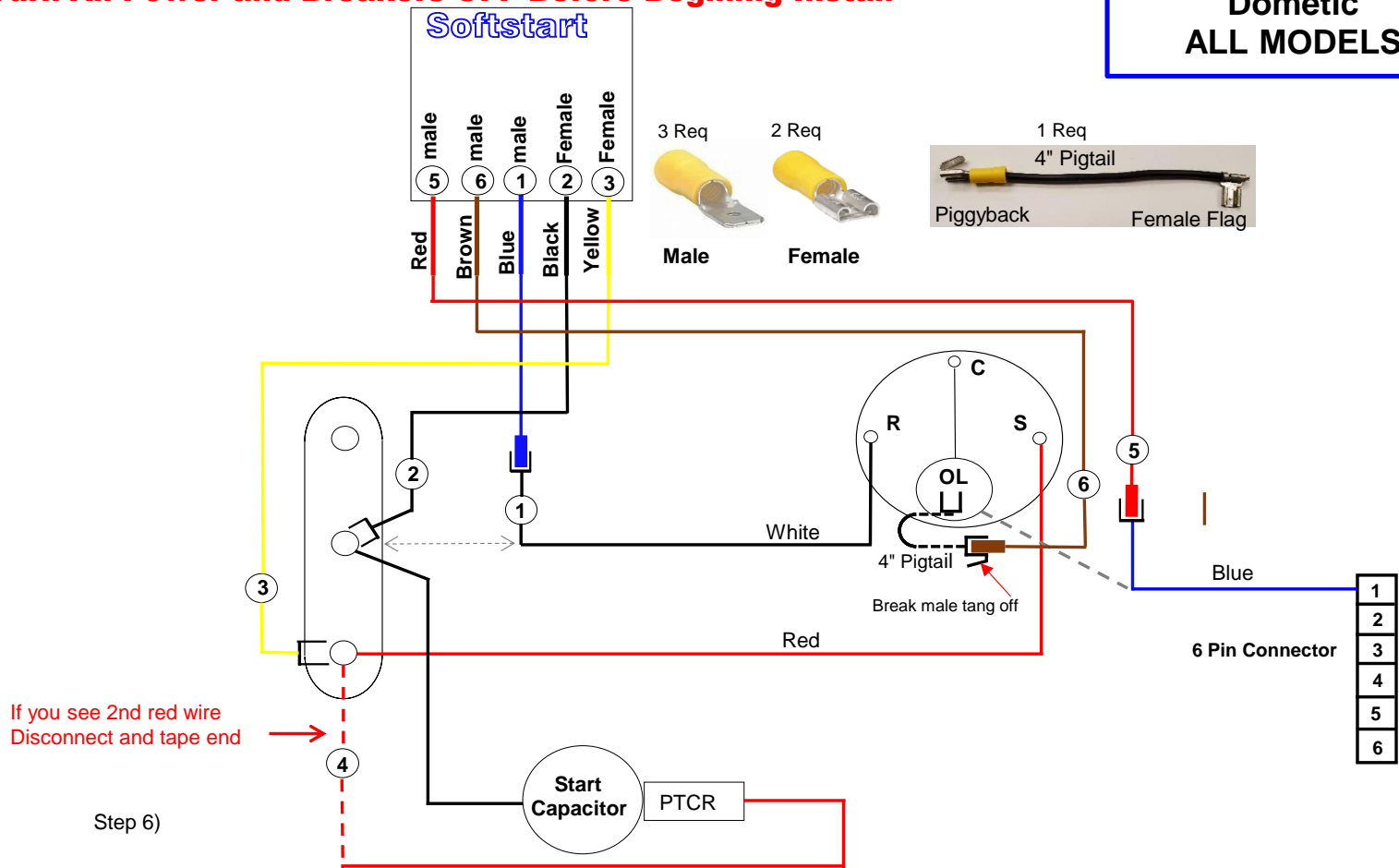


**Turn All Power and Breakers OFF Before Beginnig Install**

**Dometic  
ALL MODELS**



Route Blue, Black and Yellow Softstart wires into electrical box, Then Crimp disconnects on ALL Softstart wire as indicated in Softstart drawing above

Step 1) Follow White compressor wire to Run Capacitor, Disconnect it and connect to Blue Softstart wire

Step 2) Connect Black Softstart wire to terminal White wire was on.

Step 3) Connect Yellow Softstart wire on terminal Next to Red Compressor wire on Run capacitor

Step 4) **IF** you see a **2nd red wire** next to red compressor wire **DISCONNECT** it and tape end.

Step 5) Remove compressor cap, Disconnect Blue compressor wire and connect to Red Softstart wire, Tape connection

**Note:** Blue and Red wires **Do Not** go back under cap

Step 6) Connect Female **flag** of Pigtail on terminal Blue compressor wire was on and Connect Brown Softstart wire to **female of piggyback end**,

break male tang off and tape connection, Route pigtail over and out with red and white compressor wires and replace cap.

**Secure ALL wires and Tools BEFORE turning power on**

Turn Power and AC breaker on, Turn AC to Auto Cool and set Tstat to 55.

Look at softstart light should be Green. If light is green Shut down AC replace all covers, Turn Ac back on set tstart near outside temp and run for 30 min

**IF Green light is not on Call tech support**