

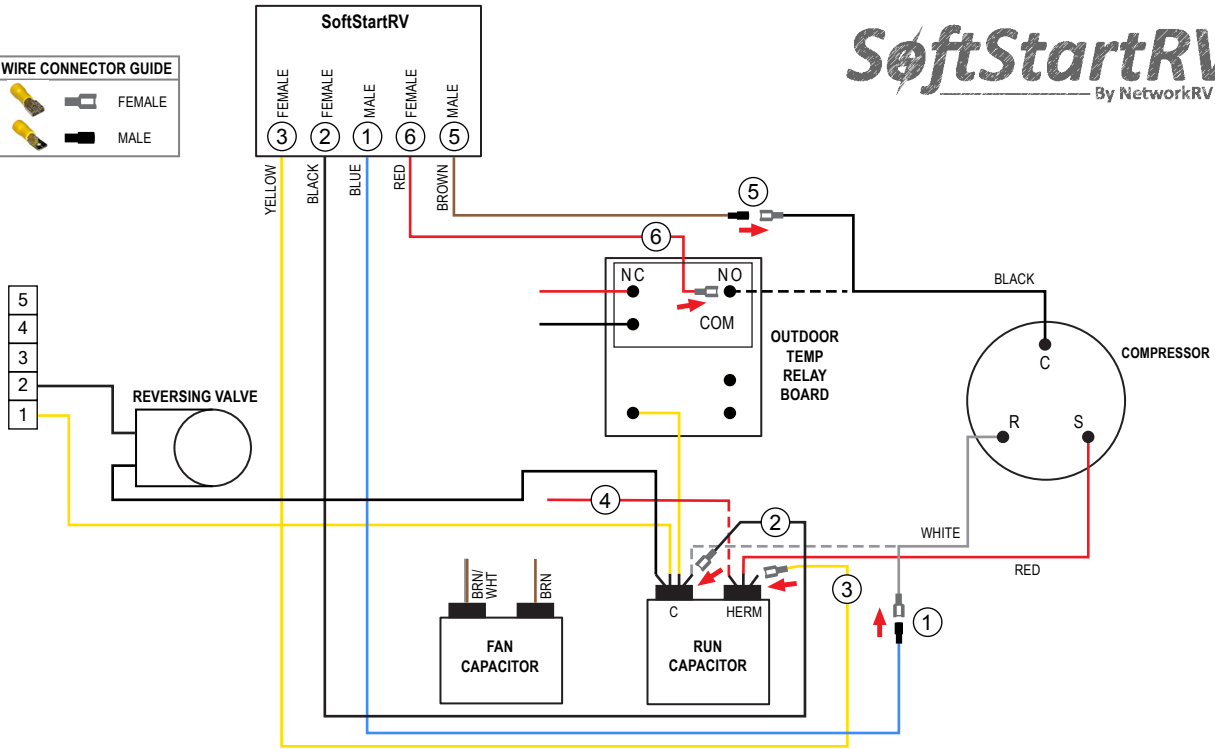


WIRE CONNECTOR GUIDE	
	FEMALE
	MALE
	MALE
	FEMALE



TURN ALL POWER OFF BEFORE STARTING INSTALLATION.

Route all SoftStart wires into the electrical box. Then crimp Connectors onto all SoftStart wires as indicated in drawing.

- Step ① Follow White Compressor wire from Compressor to Run Capacitor "C" terminal. Disconnect from "C" terminal and connect it to Blue SoftStart wire. Tape connection with electrical tape.
 - Step ② Connect Black SoftStart wire to the terminal that the White Compressor wire was on.
 - Step ③ Connect Yellow SoftStart wire on terminal next to Red Compressor wire on HERM terminal of Run Capacitor.
 - Step ④ **IF** there is a second Red wire next to the Red Compressor wire, disconnect it, seal end with tape and drop it.
 - Step ⑤ Follow Black Compressor wire to Outdoor Temperature Relay Board. Disconnect it and connect to Brown SoftStart wire. Tape connection.
 - Step ⑥ Connect Red SoftStart wire onto the terminal that the Black Compressor wire was on.
- Secure all wires. Tape connections with electrical tape.

Turn Power and A/C Breaker on. Turn A/C to Auto Cool setting and set the thermostat to 55°F.

Look at SoftStart LED lights. Green light should be "on". Green light means the Compressor is running (there may be a full 3-minute delay before Green light comes on). **IF there is no Green light after 4 minutes**, call SoftStart Tech Support for assistance.

After establishing Green light operation, re-install all A/C covers.

Turn A/C on, set near to outdoor temperature and run for 30 minutes.

After 30 minutes, operate A/C normally.