

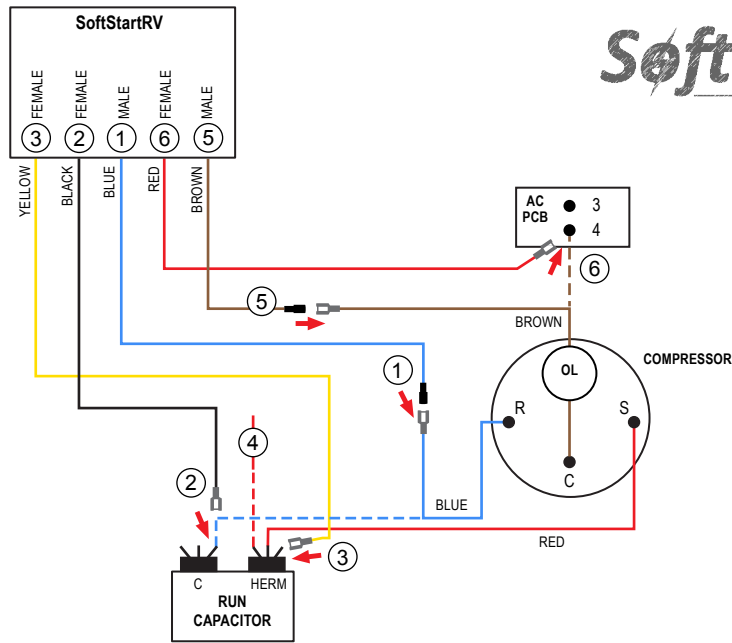


WIRE CONNECTOR GUIDE	
	FEMALE
	MALE



## TURN ALL POWER OFF BEFORE STARTING INSTALLATION.

Route all SoftStart wires into the electrical box. Then crimp Connectors onto all SoftStart wires as indicated in drawing.

Step ① Follow Blue Compressor wire from Compressor to Run Capacitor "C" terminal. Disconnect from "C" terminal and connect it to Blue SoftStart wire. Seal connection with electrical tape.

Step ② Connect Black SoftStart wire to the terminal that the Blue Compressor wire was on.

Step ③ Connect Yellow SoftStart wire on terminal next to Red Compressor wire on HERM terminal of Run Capacitor.

Step ④ **IF** there is a second Red wire next to the Red Compressor wire, disconnect it, seal end with tape and drop it.

Step ⑤ Follow Brown Compressor wire to AC PCB assembly. Disconnect it and connect to Brown SoftStart wire. Tape connection.

Step ⑥ Connect Red SoftStart wire onto the terminal that the Brown Compressor wire was on.

Secure all wires. Seal connections with electrical tape.

Turn Power and A/C Breaker on. Turn A/C to Auto Cool setting and set the thermostat to 55°F.

Look at SoftStart LED lights. Green light should be "on". Green light means the Compressor is running (there may be a full 3-minute delay before Green light comes on). **IF there is no Green light after 4 minutes**, call SoftStart Tech Support for assistance.

After establishing Green light operation, re-install all A/C covers.

Turn A/C on, set near to outdoor temperature and run for 30 minutes.

After 30 minutes, operate A/C normally.

SoftStartRV Wiring Diagram for LG MEZ65238817 Relay

Copyright © MMXXII NetworkRV LLC. All Rights Reserved.