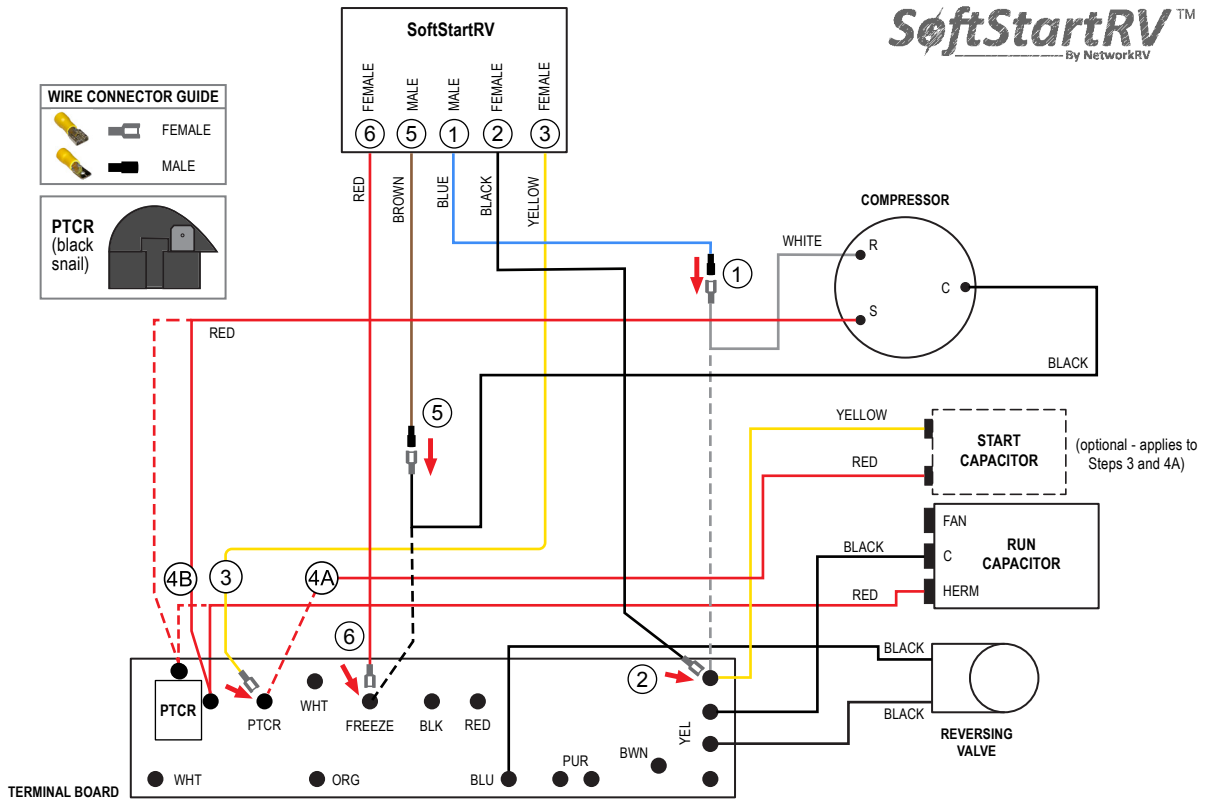
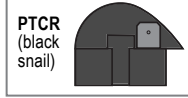


WIRE CONNECTOR GUIDE



TURN ALL POWER OFF BEFORE STARTING INSTALLATION.

NOTE: There are two options for Step 4, depending on your existing connections. Read both options carefully before proceeding.

Route ALL SoftStart wires into the electrical box. Then crimp Connectors onto all SoftStart wires as indicated in drawing.

Step ① Follow White Compressor wire to Terminal Board. Disconnect from Terminal Board and connect to Blue SoftStart wire.

Step ② Connect Black SoftStart wire to the terminal on the Terminal Board that the White Compressor Wire was on.

Step ③ Connect Yellow SoftStart wire on terminal where PTCR is stamped on Terminal Board.

If there is not a black PTCR (looks like a black snail - see illustration above), skip Step 4 completely.

Step ④A If there is a Start Capacitor and PTCR, disconnect the Red wire from the Terminal Board.

Step ④B Disconnect PTCR from Terminal Board. Then disconnect the double Red wires from the PTCR and reconnect to terminal that the PTCR was connected to.

Step ⑤ Disconnect Black Compressor Wire from Freeze connection on Terminal Board. Connect Black Compressor Wire to Brown SoftStart wire and tape connection with electrical tape.

Step ⑥ Connect Red SoftStart wire to the terminal that the Black Compressor Wire was on.

Secure all wires. Tape connections with electrical tape.

Turn Power and A/C Breaker on. Turn A/C to Auto Cool setting and set the thermostat to 55°F.

Look at SoftStart LED lights. Green light should be "on". Green light means the Compressor is running (there may be a full 3-minute delay before Green light comes on). **IF there is no Green light after 4 minutes**, call SoftStart Tech Support for assistance.

After establishing Green light operation, re-install all A/C covers.

Turn A/C on, set near to outdoor temperature and run for 30 minutes. After 30 minutes, operate A/C normally.

SoftStartRV Wiring Diagram for Coleman Mach 1976A738 (6-20) TB

Copyright © MMXXII NetworkRV LLC. All Rights Reserved.