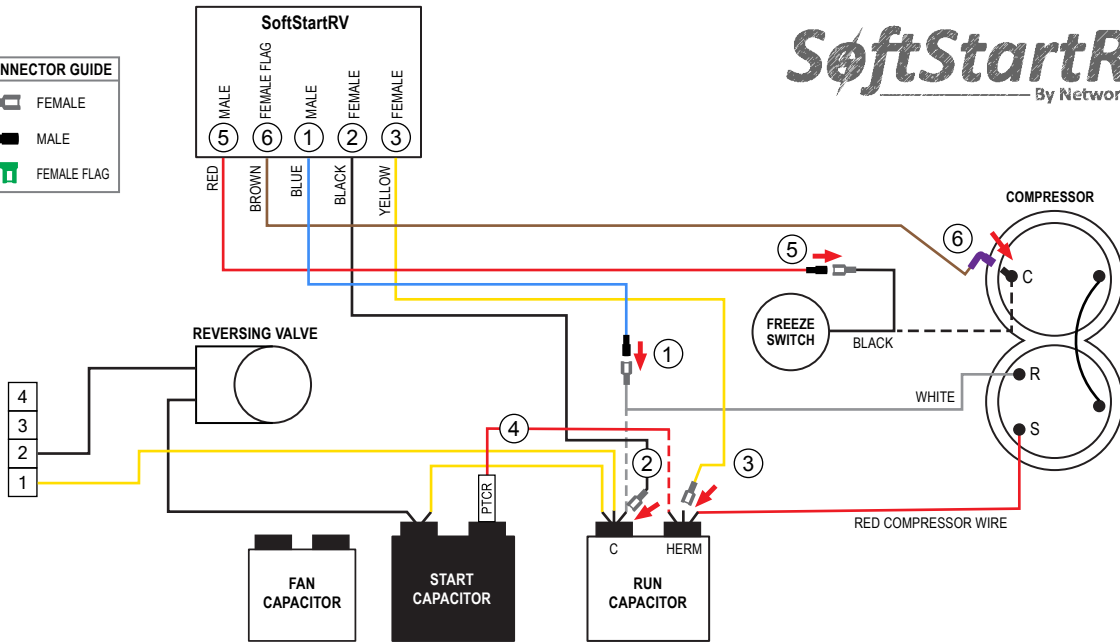
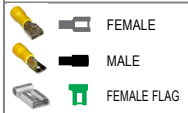


## WIRE CONNECTOR GUIDE



### TURN ALL POWER OFF BEFORE STARTING INSTALLATION.

Route Blue, Black and Yellow SoftStart wires into the electrical box. Route Brown and Red SoftStart wires to the top of the Compressor. Then crimp Connectors onto all SoftStart wires as indicated in drawing

**IF there are 3 Capacitors, follow Step 4. If there are not three Capacitors, skip Step 4.**

- Step ① Follow White Compressor Wire from Compressor to Run Capacitor "C" terminal. Disconnect from "C" terminal and connect it to Blue SoftStart wire. Tape connection with electrical tape.
- Step ② Connect Black SoftStart wire to the terminal that the White Compressor Wire was on.
- Step ③ Connect Yellow SoftStart wire on terminal next to Red Compressor Wire on "Herm" side of Run Capacitor.
- Step ④ **IF** there is a second Red wire next to the Red Compressor wire, disconnect it, seal end with electrical tape and drop it.
- Step ⑤ Remove the Compressor Cap. Disconnect Black wire and connect to Red SoftStart wire. Tape connection. (Wires do not go back under cap.)
- Step ⑥ Break male tangent off piggyback connector, then bend female connector at 90° angle. Connect Brown SoftStart wire onto the terminal that the Black Compressor Wire was on. Route Brown wire over to and out with Red and White Compressor wires. Replace cap.

Secure all wires. Tape connections with electrical tape.

Turn Power and A/C Breaker on. Turn A/C to Auto Cool setting and set the thermostat to 55°F.

Look at SoftStart LED lights. Green light should be "on". Green light means the Compressor is running (there may be a full 3-minute delay before Green light comes on). **IF there is no Green light after 4 minutes, call SoftStart Tech Support for assistance.**

After establishing Green light operation, re-install all A/C covers.

Turn A/C on, set near to outdoor temperature and run for 30 minutes.

After 30 minutes, operate A/C normally.