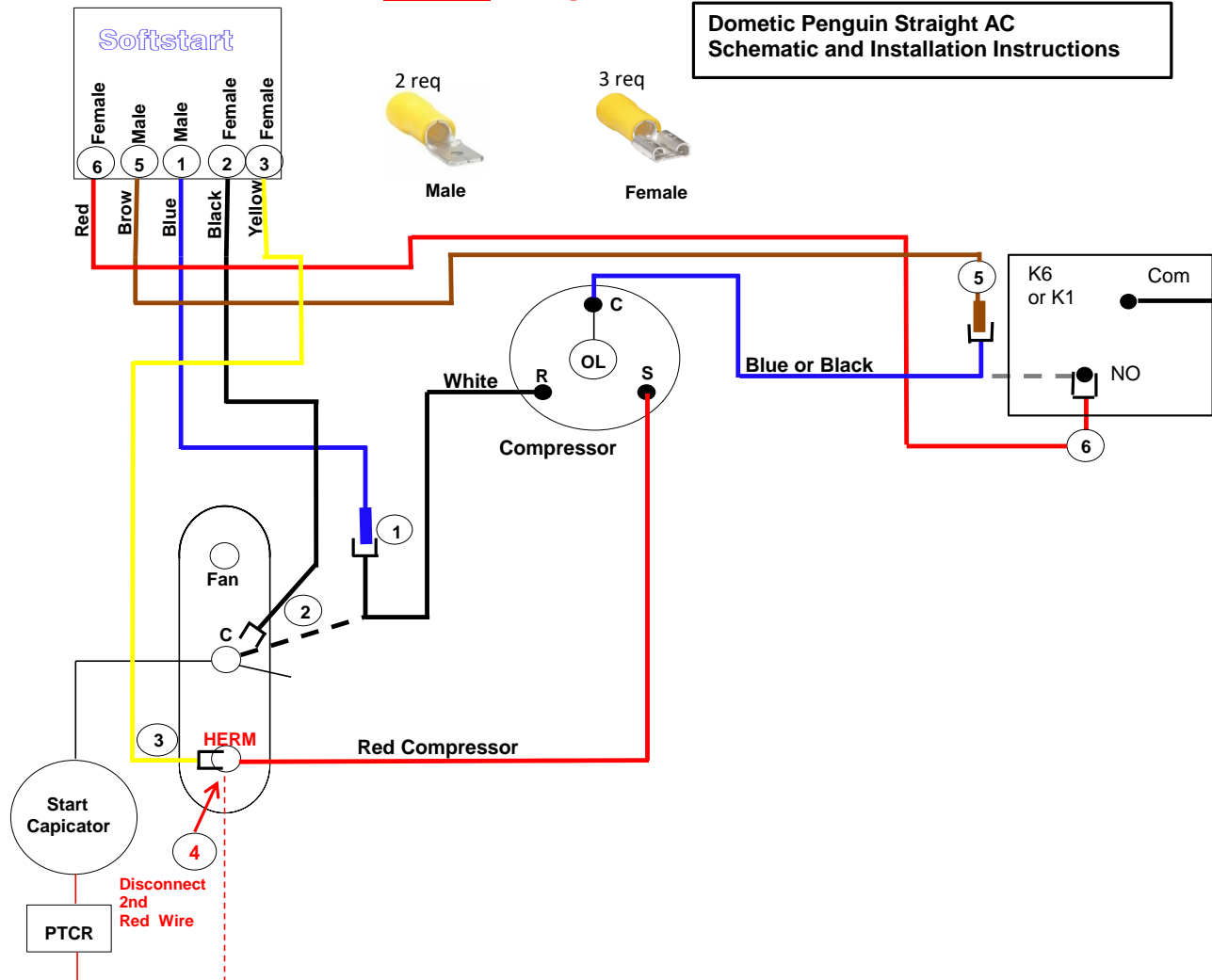


Turn OFF ALL Power and Breakers BEFORE Starting Install



- Route ALL Softstart wire into Electrical box and crimp disconnects as shown in softstart drawing above
- Step 1) Follow White Compressor wire to Run Capacitor "C" terminal, Disconnect and connect to Blue Softstart wire
 - Step 2) Connect Black Softstart wire to terminal White wire was on
 - Step 3) Connect Yellow Softstart wire to a terminal next to Red Compressor wire
 - Step 4) IF** you see a 2nd Red wire **next** to red compressor wire **DISCONNECT** and Tape end
 - Step 5) Follow Blue compressor wire (Older may be Black wire) into electrical box to the K6 Relay (older may be K1) Disconnect and connect to Brown Softstart
 - Step 6) Connect Red Softstart wire on terminal Blue (older may be black) compressor wire was on
- Turn Power and AC breaker on, Turn Fan on Hi 1 min, Turn AC to auto cool set Tstat to 55
 Look at Softstart Light on left should be Green, If no wait 3 min. After 3 min if Green light is not on
 Call Support Tech