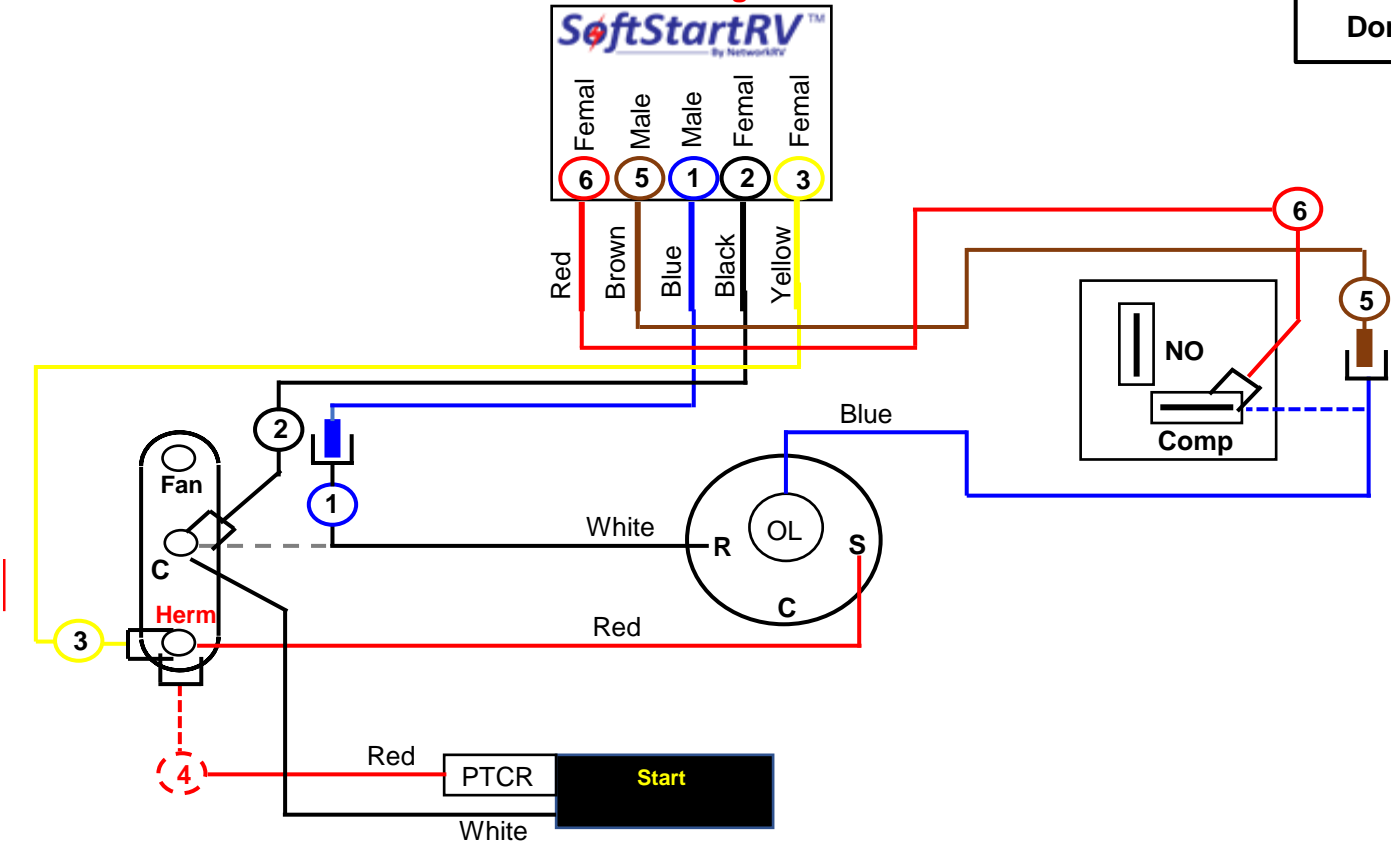


Turn ALL Power and Breakers OFF BEFORE Starting Install

Dometic Evolution Schematic



Route ALL Softstart wires into the electrical box, Then connect disconnects on wire as shown in Softstat box at top of drawing

- Step 1) Follow White compressor wire to the "C" Terminal of the RUN Capacitor, Disconnect and connect to Blue Softstart wire, Tape connection.
- Step 2) Connect Black Softstart wire on terminal White compressor wire was on.
- Step 3) Connect Yellow Softstart wire on a Terminal NEXT to the Red Compressor wire on the **HERM** terminals
- Step 4) **IF!** You see a **2nd** red wire NEXT to the red compressor wire DISCONNECT it , Tape and drop it.
- Step 5) Follow the Blue Compressor wire the K1 Relay, Disconnect and connect to the Brown Softstart wire, Tape connection.
- Step 6) Connect the Red Softstart wire on the K1 Relay terminal the Blue compressor wire was on.

Secure ALL wires to prevent fan pulling wire in,].

Turn Power and AC breaker on, Turn fan on Hi 1 min, Then turn AC to Auto Cool and set Tstat down to 55, Go look at RUN Led on face of Softstart Light should be green. GREEN light on shut ac down replace all covers, Then turn AC back on raise tstat to near ambient temp and allow to run 30 min.