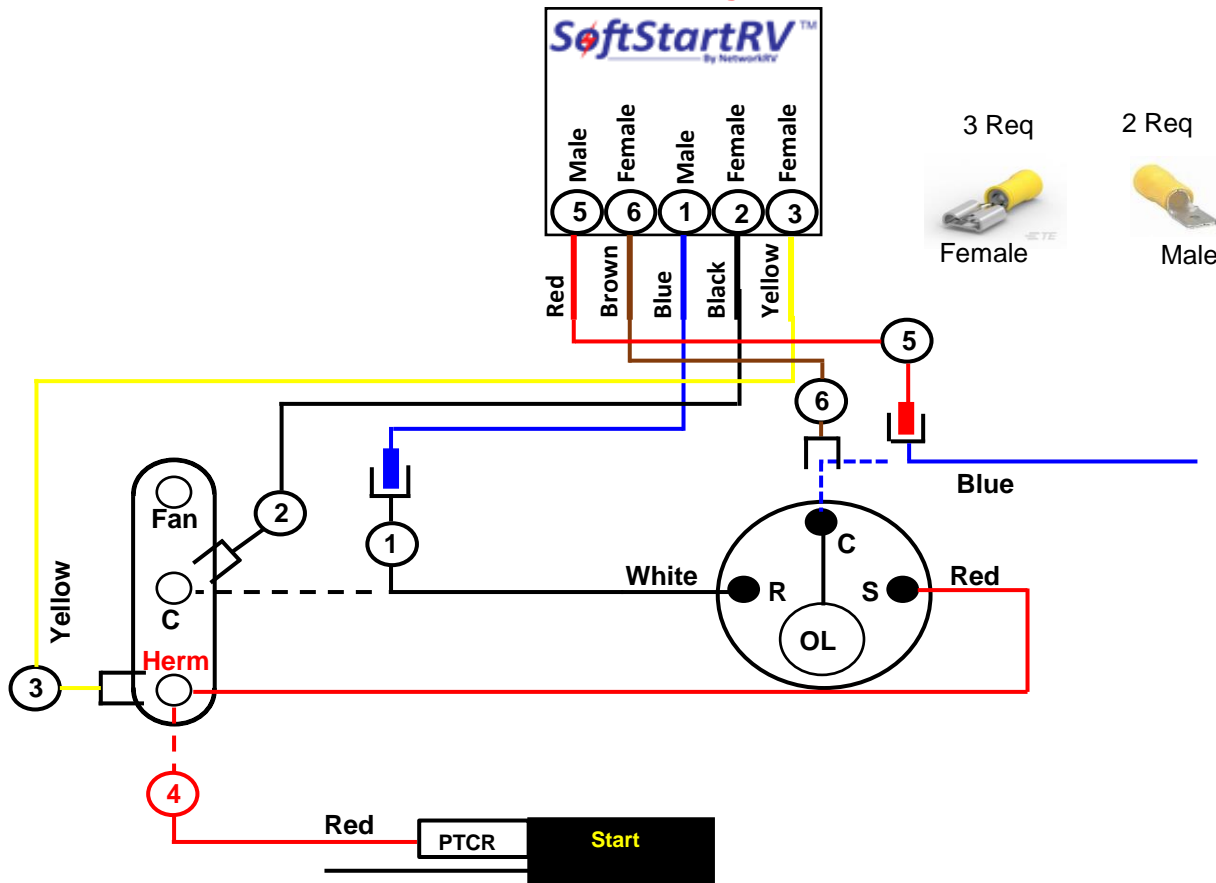


Turn ALL Power and Breakers OFF BEFORE Starting Install

Dometic Duo Therm Heat Pump



Route Blue, Black and Yellow Softstart wires into the AC electrical box, then crimp disconnects as shown in softstart box above

Route Red and Brown Softstart wire to the top of the compressor, Then crimp disconnects as shown in Softstart box above

Step 1) Follow White Compressor wire from the compressor to the "C" Terminal of the **RUN** Capacitor, Disconnect and connect to Blue softstart wire.

Step 2) Connect Black Softstart wire on terminala white wire was on.

Step 3) Connect the Yellow Softstart wire on a "**HERM**" Terminal next to the Red Compressor wire on the RUN Capacitor

Step 4) **IF** you see a 2nd red wire **DISCONNECT** and tape end and drop wire.

Step 5) Remove the Compressor cap and disconnect the Blue Compressor wire from the overload and connect to the Red softstart wire.

Step 6) With the Female disconnect crimped on the Brown Softstart wire bend disconnect as shown above, then connect on terminal blue compressor wire was on with thw wire pointed toward the white and red wires. Replace the cap and secure wires.

Secure all wire to prevent fan pulling wiresin.

Turn power and AC beraker on, Turn fan on Hi 1 min, Then turn Start to auto cool, set tstat down to 55 and go look at softstart,, RUN led should be green

If no green light wait full 3 min as Softstart may be it test mode, If after 4 min no green light shut ac down and call Tech Support.

Green ligh on shut ac down replace ALL covers ,then turn AC back on set tstat to ambient temp and allow AC to run 30 min.

