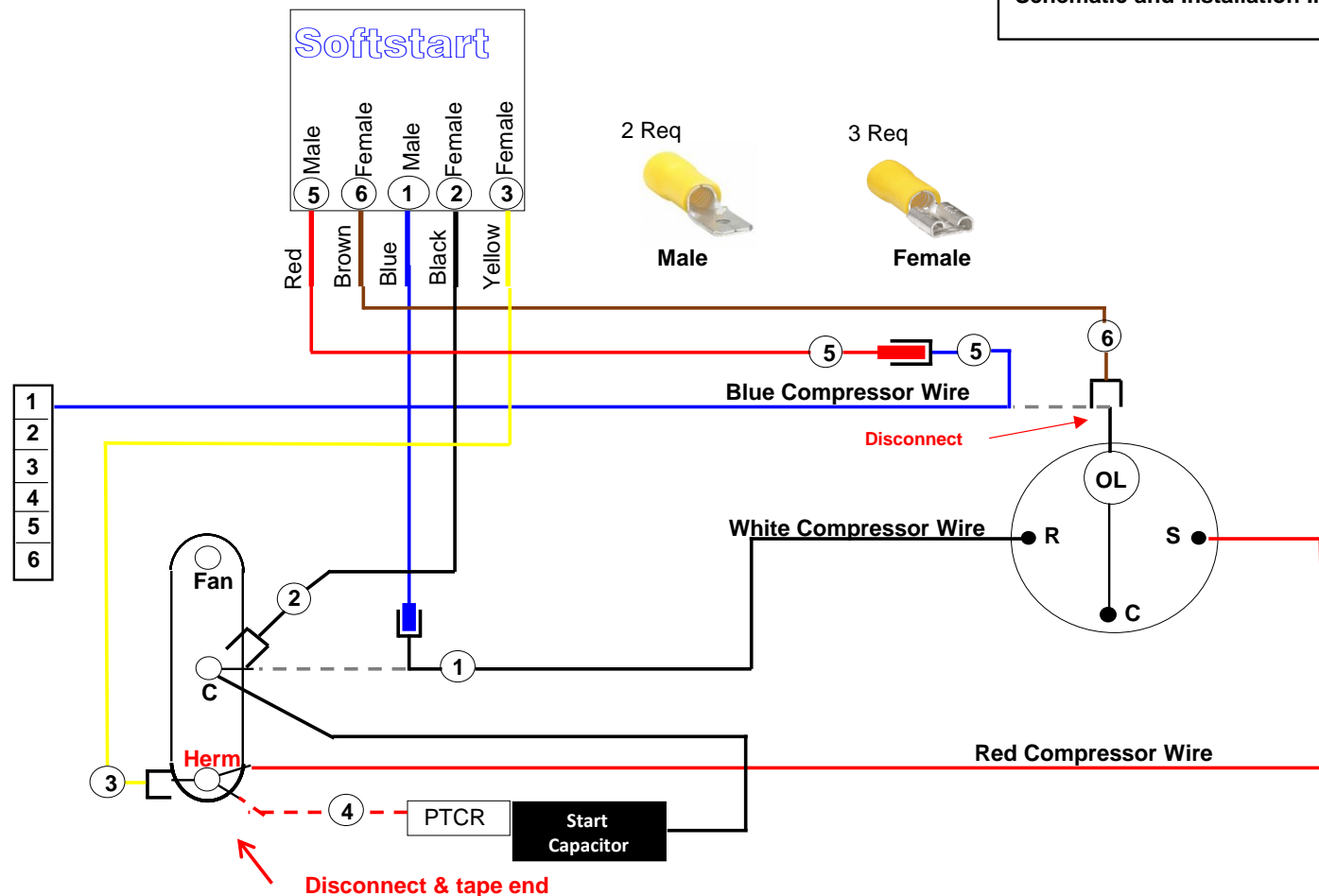


Turn OFF ALL Power and Breakers **BEFORE** Starting Install

Dometic Duo-Therm Straight AC
Schematic and Installation Instructions



Route Blue, Black and Yellow Softstart wire into electrical Box and crimp disconnect as shown in softstastr drawing above

Step 1) Follow White Compressor wire from top of compressor to "C" Terminal on RUN Capacitor, Disconnect and connect to Blue Softstart wire.

Step 2) Connect Black Softstart wire on "C" terminal White compressor wire was on

Step 3) Connect Yellow Softstart wire on a "HERM" terminal next to Red Compressor wire

Step 4) IF you see a 2nd red wire (Older models used yellow wire) on Herm terminals Disconnect and tape end

Step 5) Remove the compressor cap, Disconnect the Blue compressor wire and connect to Red Softstart wire, Tape connection.

Step 6) With the female crimped on the Brown Softstart wire temporarily insert a male and bend the female as shown (min 45 deg) remove male. Connect the brown softstart wire on terminal Blue compressor wire was on, Connect so wire heads toward center cap pole. you can move overload to allow cap to be replaced, secure cap with nut.

Secure All wires

Turn power and AC breaker on, Turn fan on Hi 1 min, Trun AC to Auto Cool and set Tstat to 55

Go look at Softstart Green Light should be on (there can be a 3 min delay, If after 3 min no green light shut AC down) Call Tech Support

If After 4 min NO Green Light call Tech Support

Green Light means Compressor is running, Shut down replace all covers and secure shroud, turn AC on and allow to run 30 min.