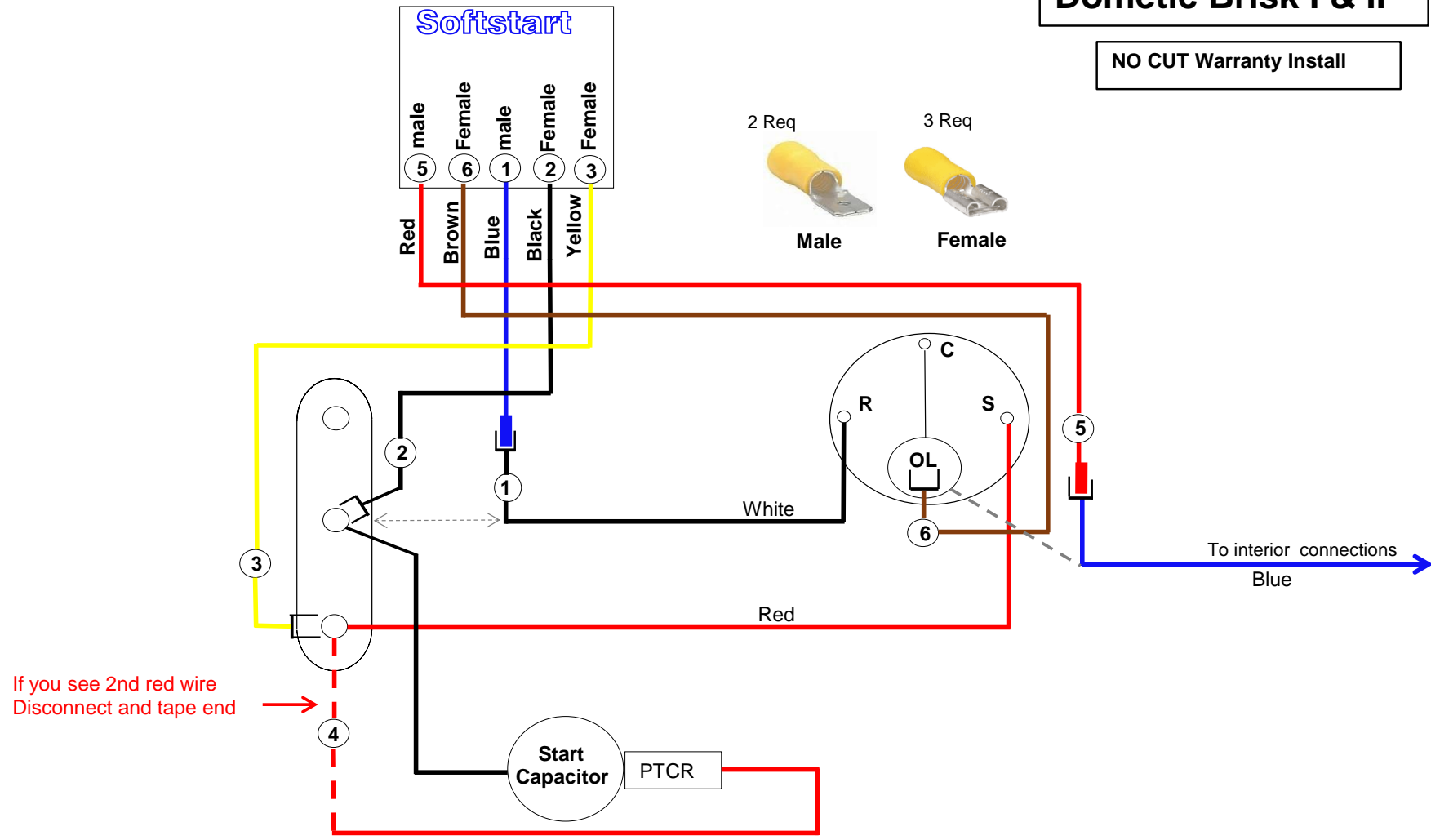


# Turn All Power OFF Before Beginning Install

## Dometic Brisk I & II

NO CUT Warranty Install



Route Blue, Black and Yellow Softstart wires into electrical box, Then Crimp disconnects on ALL Softstart wire as indicated in Softstart drawing above

Step 1) Follow White compressor wire to Run Capacitor, Disconnect it and connect to Blue Softstart wire

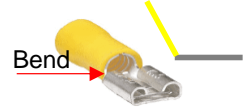
Step 2) Connect Black Softstart wire to terminal White wire was on.

Step 3) Connect Yellow Softstart wire on terminal Next to Red Compressor wire on Run capacitor

Step 4) **IF** you see a **2nd red wire** next to red compressor wire **DISCONNECT** it and tape end.

Step 5) Remove compressor cap, Disconnect Blue compressor wire and connect to Red Softstart wire, Tape connection

Step 6) Temporarily insert a male into the Brown Softstart female, with disconnect resting flat bend upward at point shown at right at least 45 deg, Connect Brown Softstart wire on terminal blue compressor wire was on. Route bwn wire toward white compressor wire Replace compressor cap.



### Secure ALL wires and Tools BEFORE turning power on

Turn Power and AC breaker on, Turn Fan on Hi for for approx 1 min, Turn AC to Auto Cool and set Tstat to 55.

Look at softstart light should be Green. If light is green Shut down AC replace all covers, Turn Ac back and and run for 30 min

**IF Green light is not on Call tech support**