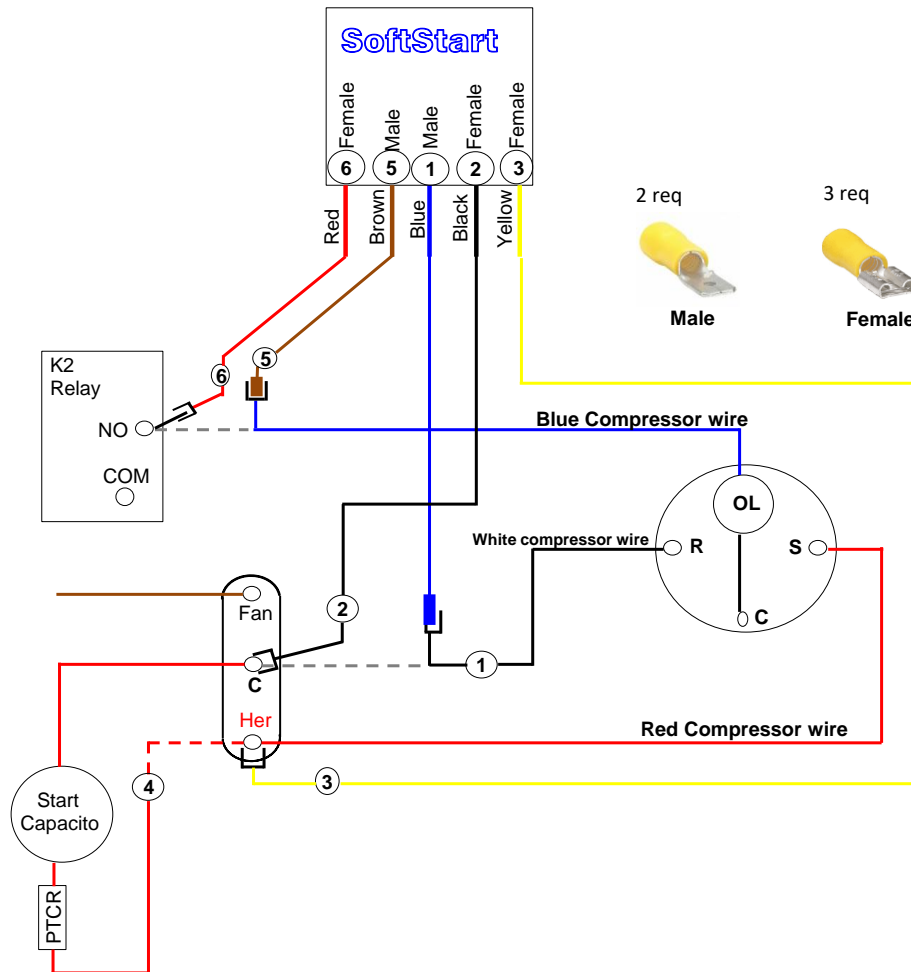


Turn off ALL power and breakers **BEFORE** starting Installation

Softstart Dometic Blizzard Schematic and Wiring Instructions



Route ALL softstart wires into Electrical box, then crimp disconnects as shown in softstart drawing above

Step 1) Follow White Compressor wire from top of compressor to RUN Capacitor, Disconnect and connect to Blue Softstart wire

Step 2) Connect Black Softstart wire to terminal White wire was on

Step 3) Connect Yellow Softstart wire to a terminal next to Red compressor wire on Herm terminal of RUN capacitor

Step 4) **IF** you see a **2nd red wire** next to red compressor wire Disconnect and tape end

Step 5) Follow Blue compressor wire to K2 Relay, Disconnect and connect to Brown Softstart wire

Step 6) Connect Red Softstart wire to terminal Blue Compressor wire was on

Secure all wires

Turn over and AC breaker on, Turn fan on Hi 1 min, then turn AC to Auto cool and set Tstat to 55

Go look at Softstart light on left should be Green (There may be a 3 min delay before light turns green, If after 3 full min no green light shut AC down and call Tech support

Green light on, shut AC down, tape disconnect connections, replace all covers, then turn AC back on and allow to run for 30 min