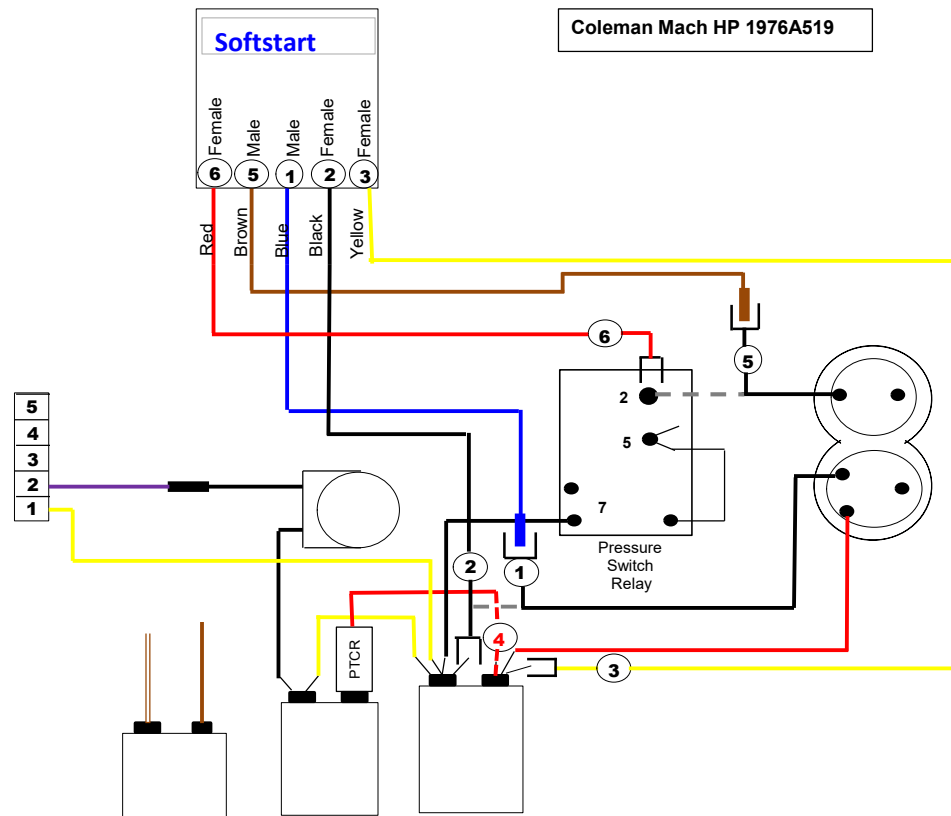


**Turn Power and ALL Breakers OFF Before starting install**



**Route ALL softstart wire into the electrical box and Crimp disconnects as shown in softstart drawing ABOVE**

**Step 1)** Follow White Compressor wire to Run Capacitor in Electrical Box, Disconnect and connect to Blue Softstart wire

**Step 2)** Connect Black Softstart wire to terminal White wire was on.

**Step 3)** Connect Yellow Softstart wire to a terminal next to Red Compressor wire

**Step 4)** **IF** you see 2nd red wire next to Red Compressor wire **Disconnect** and tape the end

**Step 5)** Follow black Compressor wire to Pressure Relay and Disconnect, Connect to Brown Softstart wire

**Step 6)** Connect Red Softstart wire to Terminal Black compressor wire was on

**SECURE ALL WIRES and TOOLS BEFORE TURNING AC ON TO PREVENT FAN FROM PULLING WIRES OR TOOLS IN**

Turn Power and AC breaker on, Turn Fan on Hi 1 min, Then turn AC to auto cool set stat @55

Go look at softstart Green light should be on ( Some times there is a 3min Delay before Green light comes on)

IF after a full 3min no Green light Call Tech Support

Green Light mean compressor is running. Shut AC down replace all covers and secure wires