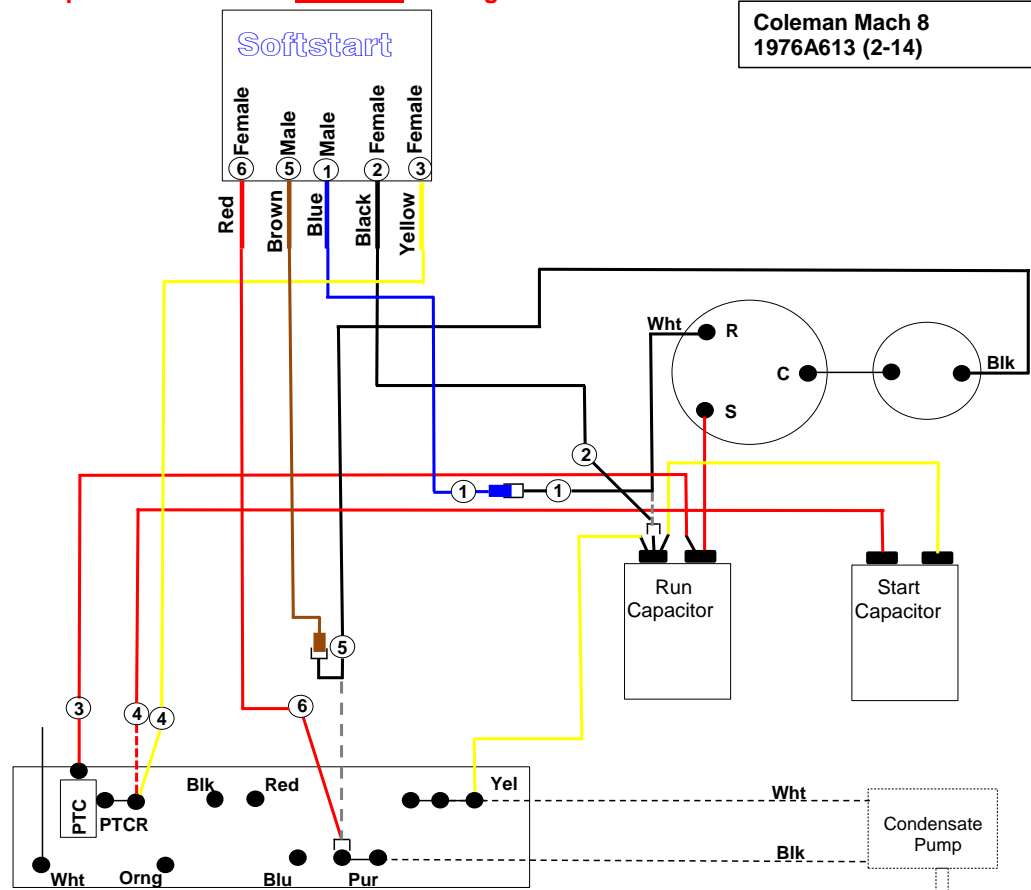


Turn off ALL power and breakers **BEFORE** starting install



Coleman Mach 8
1976A613 (2-14)

- Step 1) Follow white compressor wire to RUN capacitor, Disconnect and connect it to Blue Softstart wire.
 - Step 2) Connect Black Softstart wire on terminal white wire was on.
 - Step 3) Disconnect red compressor wire and PTCR, Disconnect red wire from PTCR and connect red wire back on terminal PTCR was on
 - Step 4) disconnect red wire that is next to PTCR and tape end, Connect Yellow softstart wire on terminal 2nd red wire was on
 - Step 5) follow Black compressor wire to terminal that says PUR, Disconnect and connect it to Brown Softstart wire.
 - Step 6) Connect Red Softstart wire on terminal Black compressor wire was on.
- Secure wires, turn power and AC breaker on, Turn fan oh Hi 1 min, Turn AC to auto cool and set Tstat to 55.
Go look at softstart you should have a green light on left(there can be a 3 min delay before light come on)
If after 4 min no green call Tech Support